

# Linda Wieditz Memorial Regatta

Sandy Bay Yacht Club

Friday, July 10, 2009

Notice of Race

## 1 Rules

The regatta will be governed by the current Racing Rules of Sailing.

## 2 Eligibility

The regatta is open to all boats of the International Optimist Class which conform to IODA Class Rules. Competitors shall not reach their fifteenth birthday in 2009.

## 3 Schedule

9:15: Boat Arrival/check-in

10:15: Skipper's Meeting followed by an early lunch on land

11:00: Harbor Start

11:45: First gun: Multiple races to follow. No starting sequence after 3:45 PM

Cookout with Awards to Follow

## 4. Classes

Optimist Green and Optimist Championship

## 5 The Course

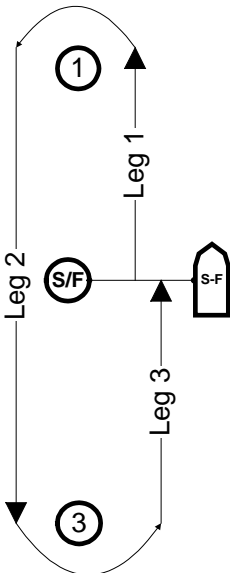
5.1 The attached diagram shows possible courses, including the order in which marks are to be rounded or passed, and the side on which each mark is to be left.

5.2 The course to be sailed will be displayed on the course-posting ladder on the R.C. Signal Boat.

5.3 The start/finish line, when in the middle of the course, must be honored. Sailing through this line on a leg of the course will be grounds for disqualification.

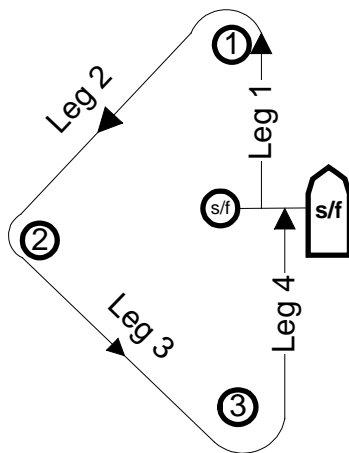
Windward-Leeward, 3 legs

W



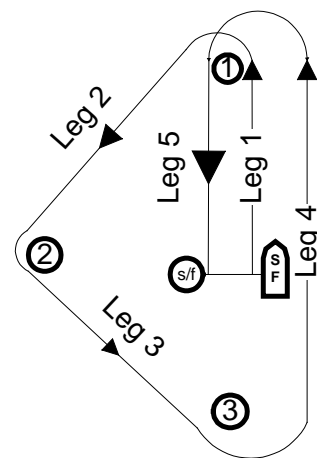
Triangle + Windward, 4 legs

T



Triangle + Windward + Leeward

5 legs  
G



## 6. Marks

Marks will be yellow tetrahedrons.

**7. Entry Deadlines**

7.1 All skippers must complete the regatta entry form (including the Emergency Medical Form for each participant) and submit it to:

Jennifer Doyle, SBYC Junior Program, P.O. Box 37, Rockport MA 01966 or email it to jenniferkdoyle@gmail.com by July 9th, 2009 or receive oral permission for late entry by calling 978 546 6240.

7.2 No more than 50 boats will be accepted.

**8. Sailing instructions.**

Sailing Instructions will be available at check in

**9 Scoring**

The low-point scoring system will apply. One race will constitute a series; there will be one throw out if five or more races are completed.

**10. Coaching**

Green Fleet Policies apply. Coaching will be allowed in the bottom third of the green fleet during any given race.

**11 Safety Regulations**

11.1 Each competitor is required to wear a USCG approved PFD while on the water and the yacht club docks.

11.2 Each competitor shall check in on the starboard side of the Race Committee boat prior to the first race.

Boats failing to do so could be scored "DNS".

11.3 Boats retiring from a race, or not starting a race, shall notify the Race Committee.

**12 Awards**

Awards will be given for first through third.

**13. Further Information**

Contact Sandy Bay Yacht Club 978 546 6240 and/or check the website for further information.

[www.sandybay.org](http://www.sandybay.org)

[Jenniferkdoyle@gmail.com](mailto:Jenniferkdoyle@gmail.com)